

OUTDOOR PLAY AREA TYPE: ANNUAL INSPECTION



Serious deviations registered - Urgent Action needed, high risk of injury



Inspection carried out by:

Ray Morrison
Certified inspector
Tel. +44 (0)7300 850 560



INSPECTION REPORT

Mail. ray.morrison@npgi.eu

Basic information:

Russell Pollard

Tel.: 07941307265

Email: clerk@hiltonparishcouncil.gov.uk

Address : Hall, Peacroft Ln, Hilton, Derby DE65 5GH

Invoice no. 1025

Playground Address:

Mill lane play area at DE65 5GG, Village hall site at DE65 5GH,

Date of inspection: 18th February 2025

Time of Inspection: 0730hrs

Supplementary information

This inspection is prompted by contact between the customer and the Nordic Playground Institute UK, with the desire to assess the general safety level of the customer's equipment. The inspection is primarily carried out in accordance with the performing inspector's professional assessment, considering applicable product safety standards at the time of the inspection.

During the inspection, if they appear in the report, test tools were used as indicated in the current standard.

Unless otherwise stated, the shock-absorbing properties of the falling surface have not been tested, but only assessed visually.

Only when rot is suspected, random excavation is carried out at posts for control.

Closed parts have not been dismantled to assess the tool's condition, but reference is made to the manufacturer's maintenance instructions.

Tools with deviations that were installed before the applicable standard came into force are not necessarily unsafe but should be risk assessed by the owner with a view to rectification.

Maximum benefit from the report is achieved by paying attention to the following:

Front page:

Here you can see an overview photo of the playground and the inspector's information.

Page 1, Additional information:

Here you can see customer information, information about the location of the playground, and the conditions for the inspection are described here.

Page 2-9, Control documentation:




A photo of the individual piece of equipment is shown here.

INSPECTION REPORT

To the right of the photo, it is indicated which sections of the standard apply to this particular equipment and the documented deviation.

The following photos show any deviations, with associated text and references.

Equipment inspected

	<p>The following standards were used for the inspection:</p> <p>BS EN1176 part 1:2017 General BS EN 1176-3:2017 Slides BS EN1176 part 7:2020 Inspection</p> <p>No deviation found</p>
	<p>The following standards were used for the inspection:</p> <p>BS EN1176 part 1:2017 General BS EN 1176-3:2017 Slides BS EN1176 part 7:2020 Inspection</p> <p>No deviation found on Signage</p>
	<p>The following standards were used for the inspection:</p> <p>BS EN1176 part 1:2017 General BS EN 1176-3:2017 Slides BS EN1176 part 7:2020 Inspection</p> <p>No deviation found</p>

INSPECTION REPORT



The following standards were used for the inspection:

BS EN1176 part 1:2017 General
BS EN1176 part 7:2020 Inspection
BS EN 1176-5:2019 Carousels

No deviation found



The following standards were used for the inspection:

BS EN1176 part 1:2017 General
BS EN1176 part 7:2020 Inspection
BS EN 1176-2:2017+AC:2019 Swings

Deviation found



The following standards were used for the inspection:

BS EN1176 part 1:2017 General
BS EN1176 part 7:2020 Inspection
BS EN 1176-2:2017+AC:2019 Swings

No deviation found

INSPECTION REPORT



The following standards were used for the inspection:

BS EN1176 part 1:2017 General
BS EN1176 part 7:2020 Inspection
BS EN 1176-2:2017+AC:2019 Swings

No deviation found



The following standards were used for the inspection:

BS EN1176 part 1:2017 General
BS EN1176 part 7:2020 Inspection
BS EN 1176-2:2017+AC:2019 Swings

No deviation found



The following standards were used for the inspection:

BS EN1176 part 1:2017 General
BS EN1176 part 7:2020 Inspection
BS EN 1176-2:2017+AC:2019 Swings

No deviation found

INSPECTION REPORT



The following standards were used for the inspection:

BS EN1176 part 1:2017 General
BS EN1176 part 7:2020 Inspection
BS EN 1176-6:2017+AC2019 Rocking Equipment

No deviation found



The following standards were used for the inspection:

BS EN1176 part 1:2017 General
BS EN1176 part 7:2020 Inspection
BS EN 1176-6:2017+AC2019 Rocking Equipment

No deviation found



The following standards were used for the inspection:

BS EN1176 part 1:2017 General
BS EN 16899:2016 Parkour equipment
BS EN1176 part 7:2020 Inspection

No deviation found



The following standards were used for the inspection:

BS EN1176 part 1:2017 General
BS EN 16630:2015 Fitness Equipment
BS EN1176 part 7:2020 Inspection

No deviation found

INSPECTION REPORT



The following standards were used for the inspection:

- BS EN1176 part 1:2017 General
- BS EN 16630:2015 Fitness Equipment
- BS EN1176 part 7:2020 Inspection

No deviation found



The following standards were used for the inspection:

- BS EN1176 part 1:2017 General
- BS EN 16630:2015 Fitness Equipment
- BS EN1176 part 7:2020 Inspection

No deviation found



The following standards were used for the inspection:

- BS EN1176 part 1:2017 General
- BS EN 16630:2015 Fitness Equipment
- BS EN1176 part 7:2020 Inspection

No deviation found

INSPECTION REPORT



The following standards were used for the inspection:

BS EN1176 part 1:2017 General
BS EN1176 part 7:2020 Inspection

No deviation found on signage.



The following standards were used for the inspection:

BS EN1176 part 1:2017 General
BS EN1176 part 7:2020 Inspection

No deviation found on signage.



The following standards were used for the inspection:

BS EN1176 part 1:2017 General
BS EN1176 part 7:2020 Inspection

No deviation found on signage.

Conclusion

Overall, the play area, Skatepark and MUGA at the Hall on Peacroft Lane are in a great condition and well maintained.

All of the elements as well as the installation of them adhere to the standards

BS EN1176-1:2017 General

BS EN 1176-2:2017+AC:2019 Swings

BS EN 1176-3:2017 Slides

BS EN 1176-5:2019 Carousels

INSPECTION REPORT

BS EN 1176-6:2017+AC2019 Rocking Equipment

BS EN 16630:2015 Fitness Equipment

BS EN 16899:2016 Parkour equipment

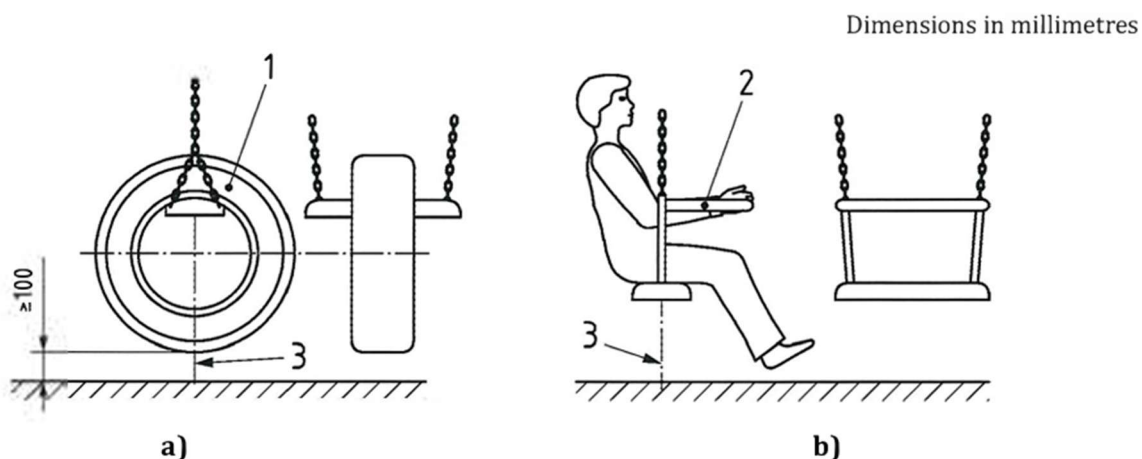
BS EN 1176-7:2020 Inspection

Attention should be given to:

- 1) The Contact swing does not conform to the standards as detailed below.
For ease I would suggest installing a tyre on each of the three open swings, rather than installing the restraining bar.

5.3 Contact swings (Type 4) Seats shall be constructed to discourage jumping from them to the central axis while swinging.

EXAMPLE This can be achieved by using a vertical tyre or a restraining bar, see Figure 12.



Key

- 1 tyre or similar
- 2 restraining bar
- 3 centre of the seat

The next inspection should be conducted within 12 months of this inspection, as this report is only valid for 12 months.

Thank you for choosing us as your impartial inspections company!

Classification:

4 = No deviations registered - No action needed at this time

3 = Small deviations registered - very small risk of injury.

2 = Large deviations registered - Action needed as there is medium risk of injury.

1 = Serious deviations registered - Urgent Action needed as there is a high risk of injury

0 = Risk of life or limb - Equipment closed off immediately as there was an unacceptable risk of injury.